



SERVICE BULLETIN

Classification: RS01-001	Reference: NTB01-005	Date: February 1, 2001
-----------------------------	-------------------------	---------------------------

ALL NISSAN VEHICLES; "D" RING RESIDUE CAN CAUSE SLOW SEAT BELT RETRACTION

ATTENTION: This bulletin supersedes NTB99-028. Please discard all paper copies of NTB99-028.

APPLIED VEHICLES: All Nissan Vehicles with front seat belt "D" rings

SERVICE INFORMATION

Residue buildup on the front seat belt "D" ring (see Figure 1) can cause slow retraction of the seat belt webbing. If slow seat belt retraction occurs, it may result in the following incidents after the seat belt is unbuckled:

- Seat belt latch plate hanging up on clothing,
- Seat belt latch plate becoming caught in the door,

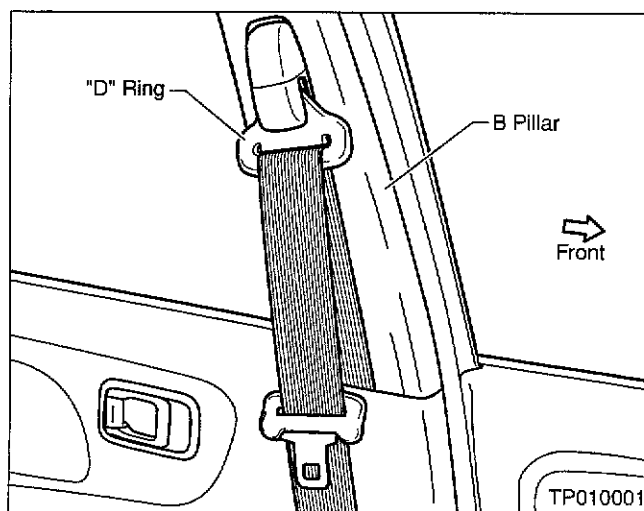


Figure 1

A new "D" ring cleaning and refurbishing kit is now available to correct such residue build up incidents. If "D" ring residue causes slow retraction of the driver's or passenger's front seat belt assembly on a Nissan vehicle, it can be corrected using the Service Procedure in this bulletin.

NOTES:

- This is the only authorized repair for this incident. **DO NOT REPLACE** the front driver or passenger seat belt assemblies before first using the Service Procedure in this bulletin to clean the "D" rings.
- When this incident occurs, both front driver and passenger seat belt "D" rings must be refurbished using the Service Procedure provided in this bulletin.
- For 1996-99 Pathfinders built before December, 1998, see bulletin NTB00-003 for additional front seat belt retractor assembly information.

SERVICE PROCEDURE

1. Pull the affected seat belt more than 20 inches (500 mm) out of the B pillar seat belt retractor mechanism (see Figure 2).
2. Attach a binder clip (or similar clamping device) to the seat belt at the base of the retractor mechanism to allow for slack in the seat belt (see Figure 2).

CAUTION: Be careful not to damage the seat belt fabric when attaching or removing the clip.

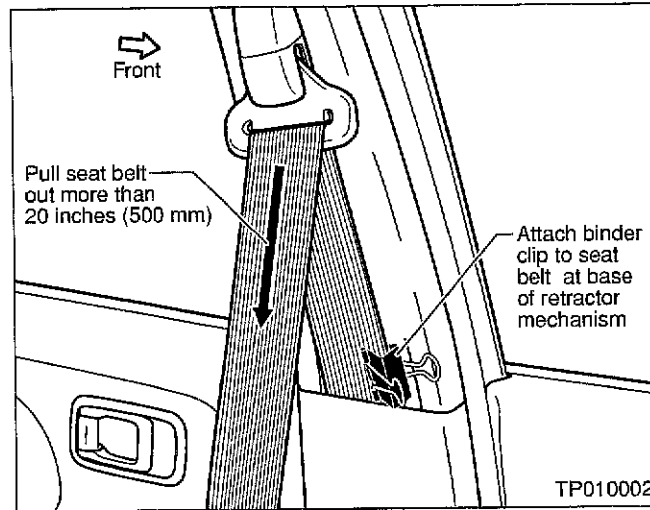


Figure 2

3. Insert the "D" ring cleaning wire (provided in the kit listed in the PARTS INFORMATION section of this bulletin) under the seat belt, between the belt and the "D" ring (see Figure 3).

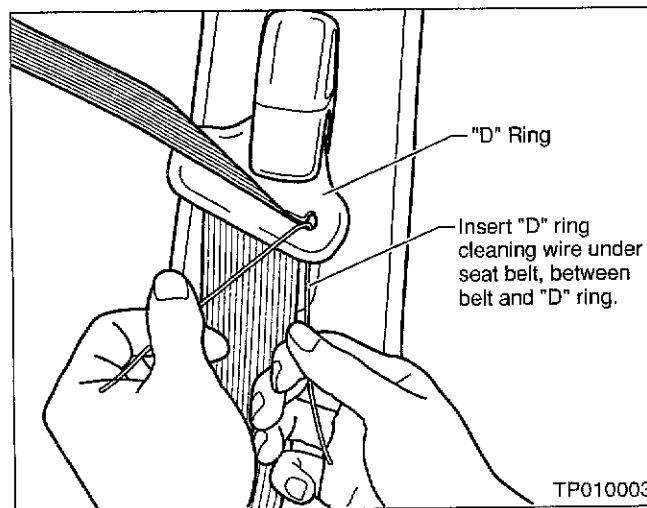


Figure 3

4. Pull the wire back and forth across the surface of the "D" ring, sliding it over all areas of the "D" ring where it contacts the seat belt (see Figure 4) until all residue is removed.

NOTE: It is very important to remove all residue buildup from the "D" ring before the following steps of the procedure are completed. Failure to remove all residue build up will result in poor adhesion of the fluorine resin tape.

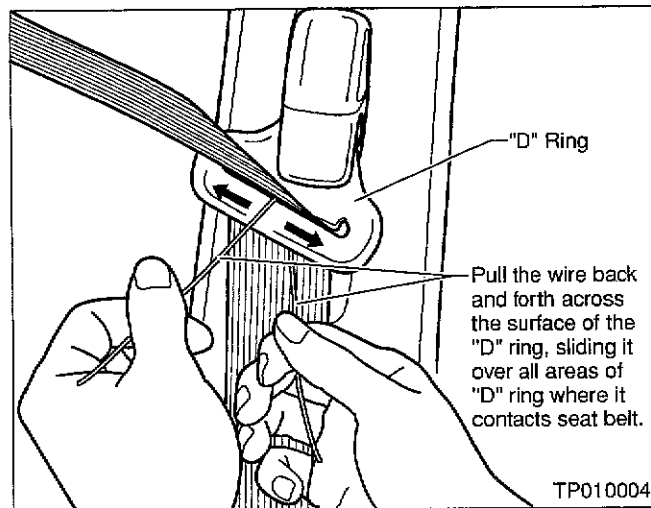


Figure 4

5. Peel off the top (smaller) backing sheet from one of the two fluorine resin tape sections provided in the kit (see Figure 5).

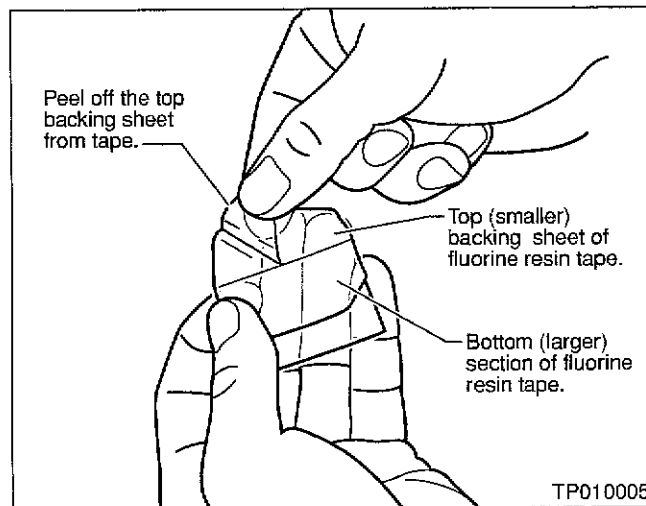
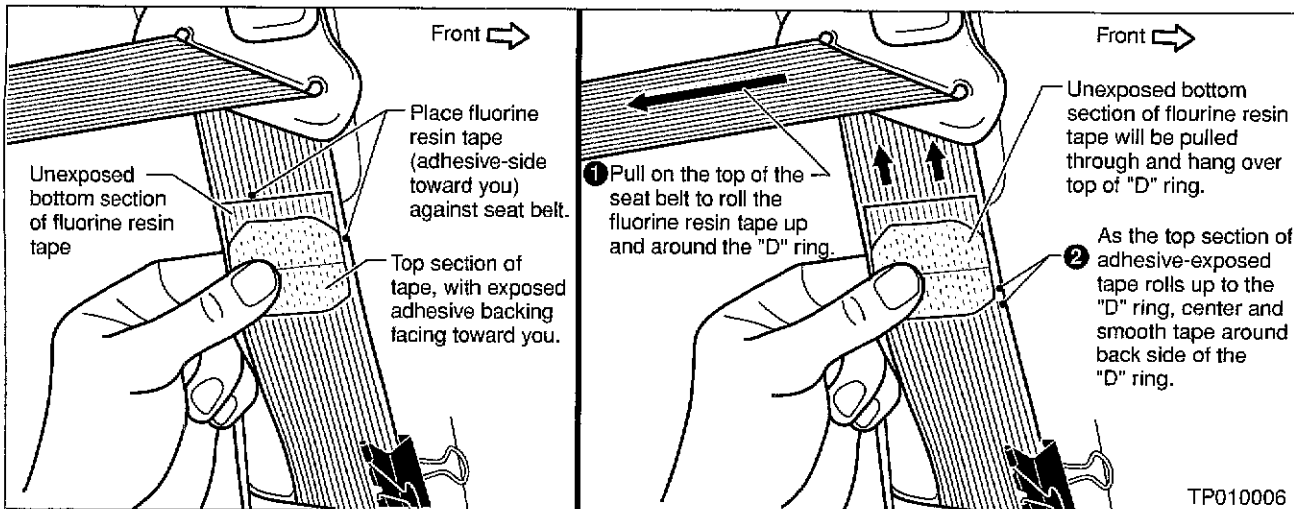


Figure 5

6. Place the fluorine resin tape (adhesive side toward you) against the seat belt (as shown in Figure 6A).

NOTE: The top section of the tape, from which the backing sheet was peeled off in step 5 on page 3, should be placed so that it is pointing down toward the floor of the vehicle. The unexposed bottom section of the tape should be pointing up toward the ceiling of the vehicle (see Figure 6A).



7. Pull on the top of the seat belt to roll the tape up and around the "D" ring (see Figure 6B). The unexposed bottom section of the tape will be pulled through and hang over the top of the "D" ring (see Figure 6B).
8. As the top section of the adhesive-exposed tape rolls up to the "D" ring, center and smooth the tape around the back side of the "D" ring (see Figure 6B above and Figure 7 on page 5).

NOTE: Once the fluorine resin tape is applied to the "D" ring, it cannot be repositioned. Take care to properly attach the tape to the "D" ring. Center the tape correctly on the "D" ring and smoothly apply it to the "D" ring surface in these procedural steps so that no wrinkles or ridges are present.

Wrinkles or ridges in the tape may prevent the seat belt from moving smoothly through the "D" ring. Replace the tape with a new piece if this should occur.

9. Run your finger over the surface of the newly applied tape to firmly apply it to the back side of the "D" ring, press down the edges of the tape, and smooth out any air bubbles or wrinkles (see Figure 7).

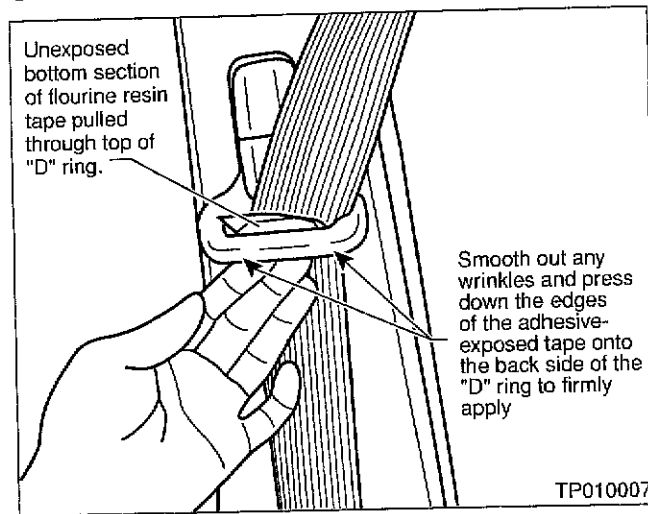


Figure 7

10. Peel off the remaining, unexposed bottom section of the tape backing (see Figure 8A).

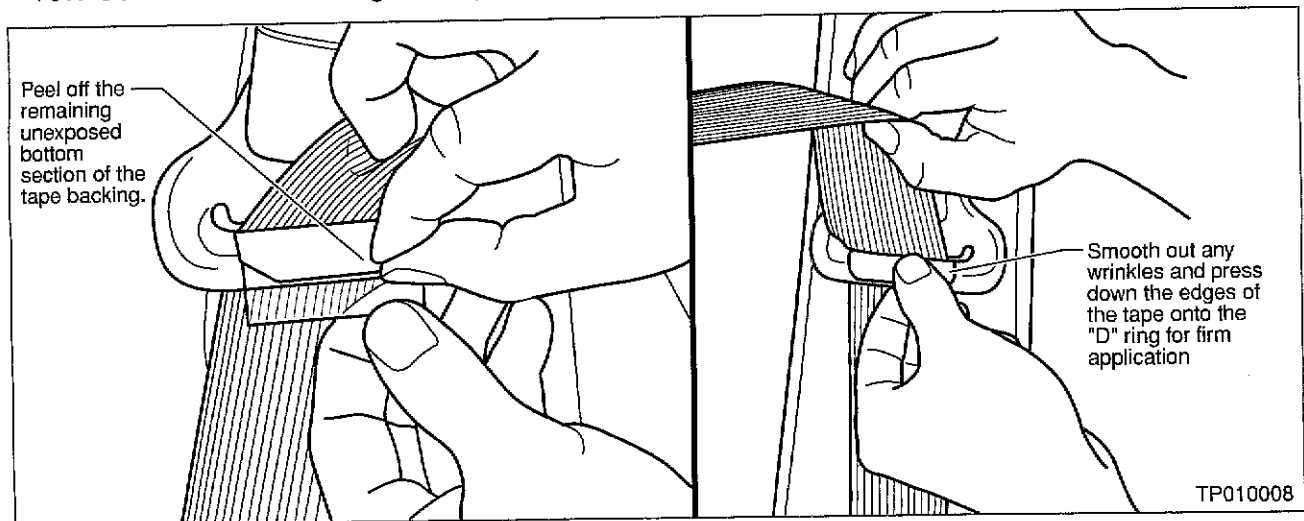


Figure 8A

Figure 8B

11. Carefully apply the tape around the remainder of the "D" ring. Take care to apply the tape so that no wrinkles are present. Press down the edges of the tape (see Figure 8B).

12. Pull the seat belt back and forth against the tape-covered "D" ring to ensure that the tape is firmly applied (see Figure 9).

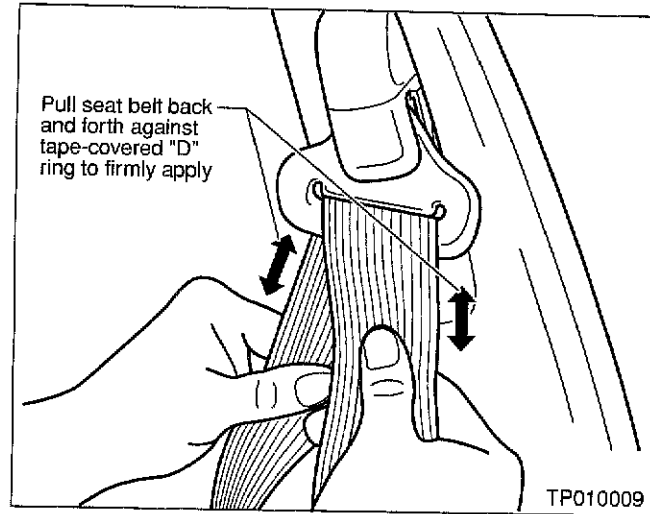


Figure 9

13. Remove the binder clip from the seat belt.
 14. Confirm that the seat belt moves smoothly and quickly through the "D" ring by latching and unlatching it and allowing it to retract back into the retractor mechanism several times.
 15. Repeat steps 1 through 14 on the remaining front seat belt.

PARTS INFORMATION

DESCRIPTION	PART #	QUANTITY
Seat Belt, Tape Set	87880-79900	1

CLAIMS INFORMATION

NOTE: This is the ONLY approved repair procedure for this incident. A claim to Nissan for the repair of this incident may be denied if the repair is not performed exactly as outlined in this bulletin.

Submit a Primary Failed Part (PP) line using the following claims coding:

DESCRIPTION	PFP	OP CODE	SYM	DIA	FRT
Clean "D"-ring and apply tape, both sides	87880-79900	VX04AA	ZH	21	0.4 hrs.