



SERVICE BULLETIN

Classification:

BR97-001

Reference:

NTB97-053

Date:

July 30, 1997

1995-97 MAXIMA PARKING BRAKE CABLE DAMAGE

APPLIED VEHICLE: 1995-97 Maxima (A32)

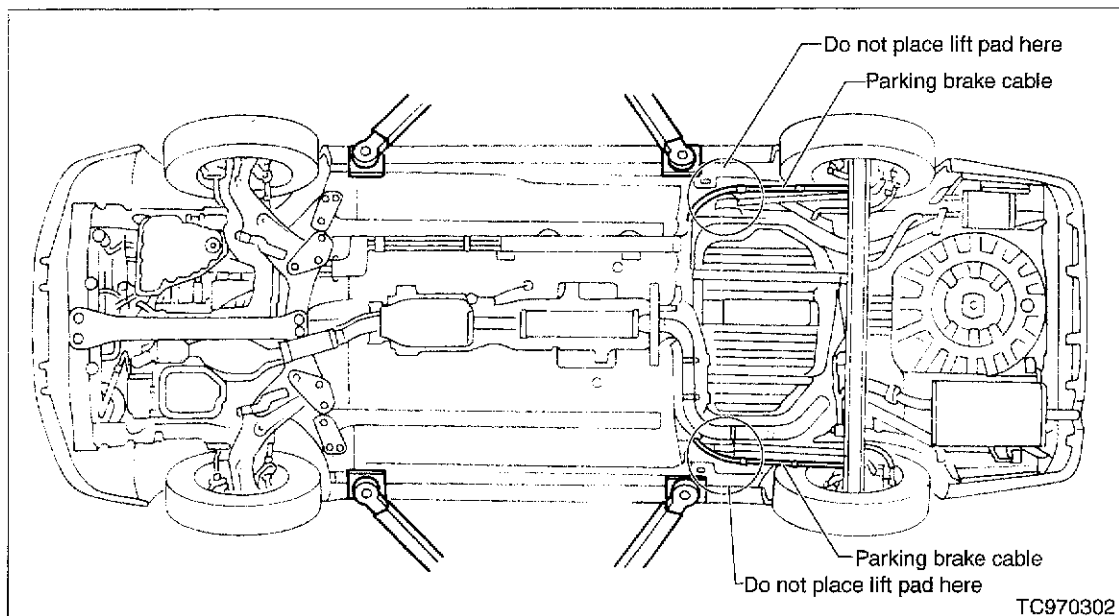
SERVICE INFORMATION

If the hoist arm is improperly positioned on the rear trailing arm/mount area of a 1995-97 Maxima, the parking brake cable can be torn or pinched.

If this occurs, difficulties with the parking brake cable operation may result.

To eliminate this possibility, use proper rear lift locations as shown.

CAUTION: Put the sill in the groove of the lift pad to prevent the sill from deforming. If the pad does not have a groove, prepare a suitable attachment with one. For 1995 & 1996, refer to the service manual pages GI-37 and GI-39. For 1997, refer to the service manual pages GI-39 and GI-41.



056419