



SERVICE BULLETIN

Classification: BT97-017	Reference: NTB97-089	Date: January 1, 1998
-----------------------------	-------------------------	--------------------------

1995-97 MAXIMA INTERIOR SQUEAK AND RATTLE REPAIR

APPLIED VEHICLE: 1995-97 Maxima (A32)
APPLIED VINS: Vehicles built before the VINs from the table below
APPLIED DATES: Vehicles built before the C/M dates from the table below

SERVICE INFORMATION

If a 1995-97 Maxima exhibits interior squeaks and rattles while driving, use the repairs in this bulletin to resolve the incident.

SERVICE PROCEDURE

Front (Instrument Panel, Center Console, Sun Visor, Seat)

Item	Incident Part	Incident Description	Production C/M Date/VIN	Repair Method
1	A-pillar finisher (either side). GXE & SE models only	Bottom of A-pillar finisher contacts the end of the instrument panel pad.	October 28, 1996 VT218424, VT85288, VM523239	Remove the A-pillar finisher. Add squeak tape to the end of the instrument panel as shown (see Figure 1). Replace the A-pillar.

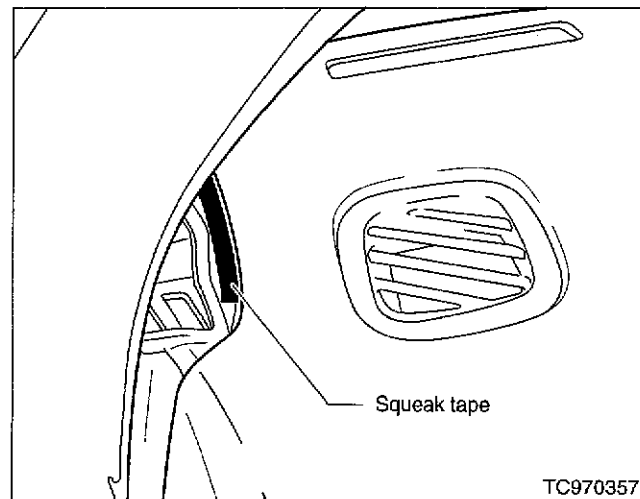


Figure 1

056820

Item	Incident Part	Incident Description	Production C/M Date/VIN	Repair Method
2	Hazard warning switch	The switch may contact the metal bracket for the HVAC/audio head units.	April 25, 1997 VT860216, VT219864, VM527418	Remove the HVAC/audio assembly. Cut or bend the metal bracket to prevent interference with the hazard warning switch as shown (see Figure 2). CAUTION: Make sure no trimmed pieces fall onto the HVAC/audio head.

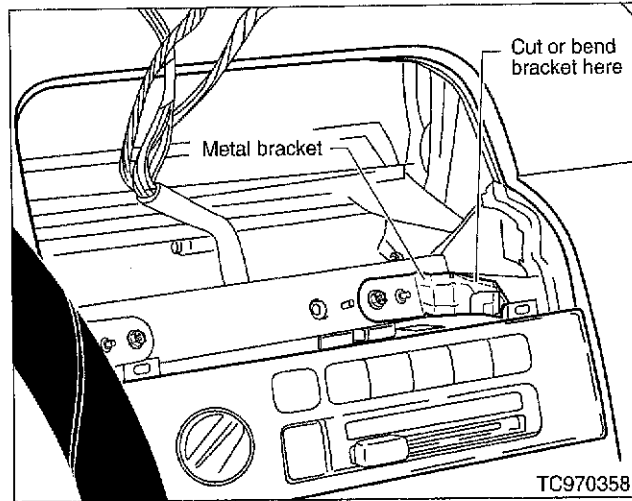


Figure 2

Item	Incident Part	Incident Description	Production C/M Date/VIN	Repair Method
3	Instrument housing and cover	The fit is loose between the clear plastic tab and the housing slot.	August 1, 1995 TT122422, TT710674, TM400038	Remove the instrument cluster bezel. Add squeak tape to the clear plastic tabs as shown (see Figure 3). NOTE: Use a dry cloth to wipe clean the inside of the instrument cover.

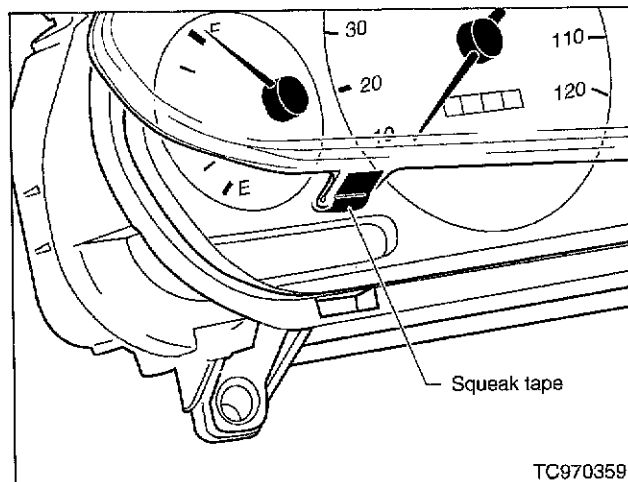


Figure 3

Item	Incident Part	Incident Description	Production C/M Date/VIN	Repair Method
4	Glove box lamp housing	The fit is loose between the lamp housing and the glove box.	October 30, 1996 VT824796, BT211431, VM506150	Remove the glove box. Remove the lamp housing. Add squeak tape to the opening for the lamp housing as shown (see Figure 4).

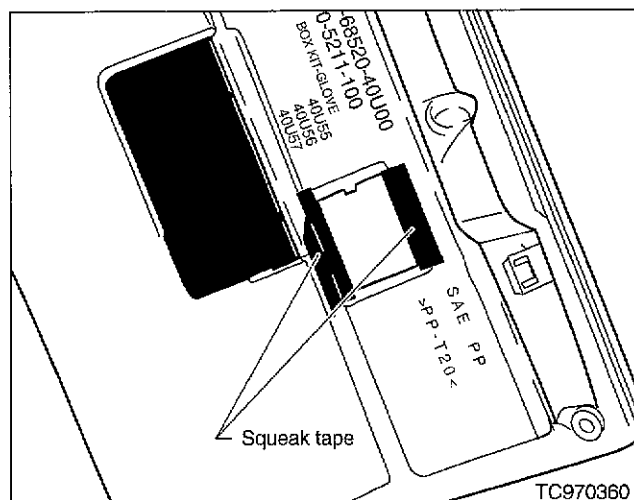


Figure 4

Item	Incident Part	Incident Description	Production C/M Date/VIN	Repair Method
5	A/T shifter finisher	The A/T shifter finisher contacts the A/T shift indicator bezel.	None	Remove the A/T shifter finisher. Add squeak tape to underside of the A/T shifter finisher in two different areas as shown. Also add squeak tape to the topside tabs as shown (see Figure 5).

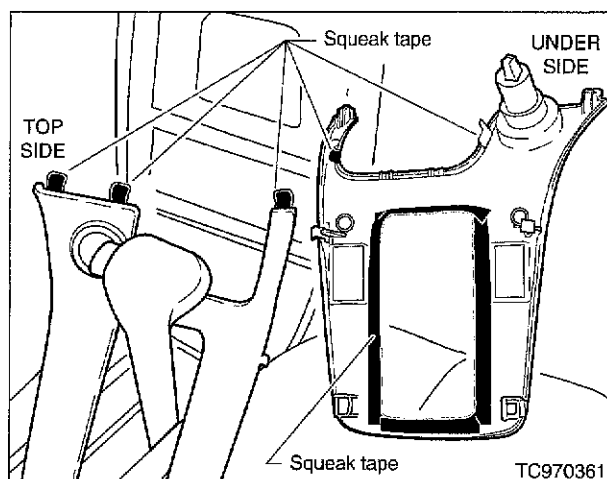


Figure 5

Item	Incident Part	Incident Description	Production C/M Date/VIN	Repair Method
6	Passenger side seat recliner cable Manual passenger seat only	Passenger side seat recliner cable contacts the side cushion finisher.	None	Remove the lower seat finisher. Wrap urethane foam around the recliner cable as shown (see Figure 6).

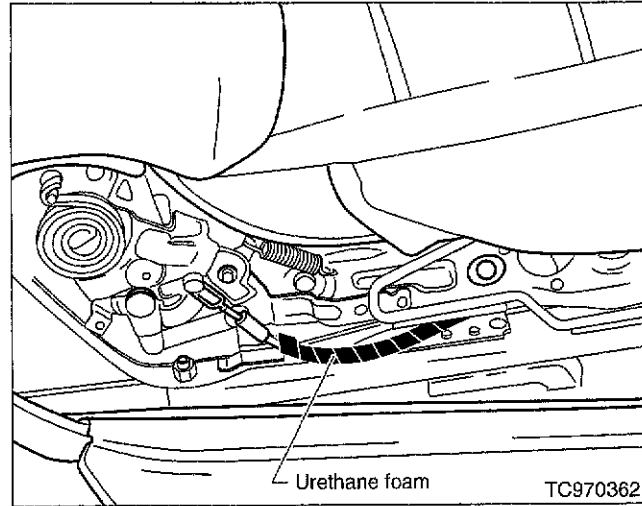


Figure 6

Item	Incident Part	Incident Description	Production C/M Date/VIN	Repair Method
7	Sun visor	Excessive clearance between the sun visor holder clip and the sun visor rod.	None	Add squeak tape to the bottom of the inside of the clip as shown (see Figure 7).

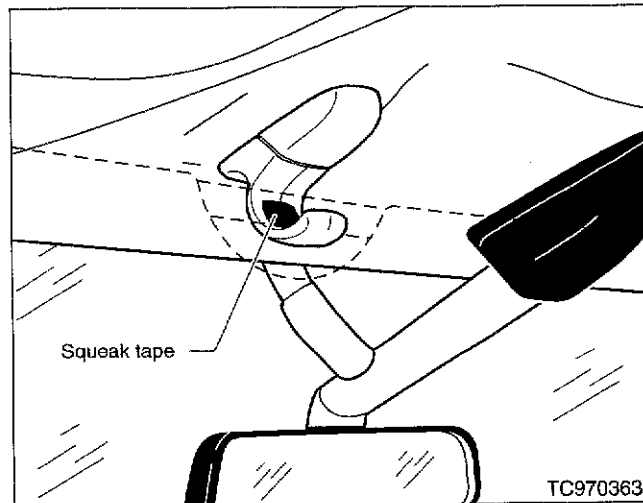


Figure 7

Side (Doors)

Item	Incident Part	Incident Description	Production C/M Date/VIN	Repair Method
8	Front door styrofoam side impact absorber	The fit is loose between the ribs on the styrofoam block and the inner door panel.	April 25, 1997 VT865191, VT220646 May 16, 1997 VM532102	Remove the door finisher. Remove the side impact absorber. Add foam sponge to the ribs of the impact absorber as shown (see Figure 8). Reinstall the absorber.

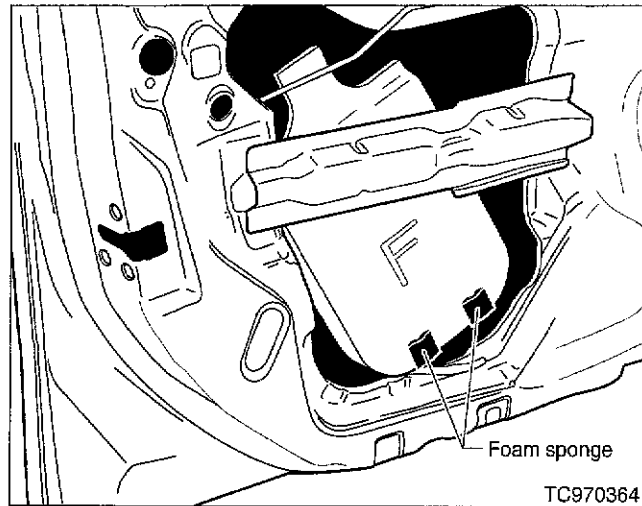


Figure 8

Item	Incident Part	Incident Description	Production C/M Date/VIN	Repair Method
9	Inside door handle finisher	The fit is loose between the inside door handle finisher and the opening for the finisher.	None	Remove the door handle finisher. Wrap squeak tape over the door finisher as shown (see Figure 9).

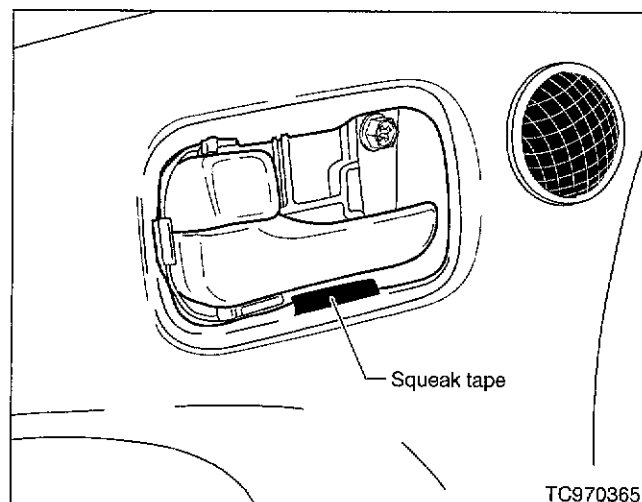


Figure 9

Item	Incident Part	Incident Description	Production C/M Date/VIN	Repair Method
10	Door finisher All	At the window sill area, the existing squeak tape is too thin resulting in a squeak noise when the door finisher rubs against the door inner panel.	August 1, 1995 TT706072, TT104632, TM400038	Remove the door finisher. Remove the existing squeak tape from the three raised areas of the door finisher. Replace with two layers of the squeak tape recommended in this bulletin (see Figure 10).

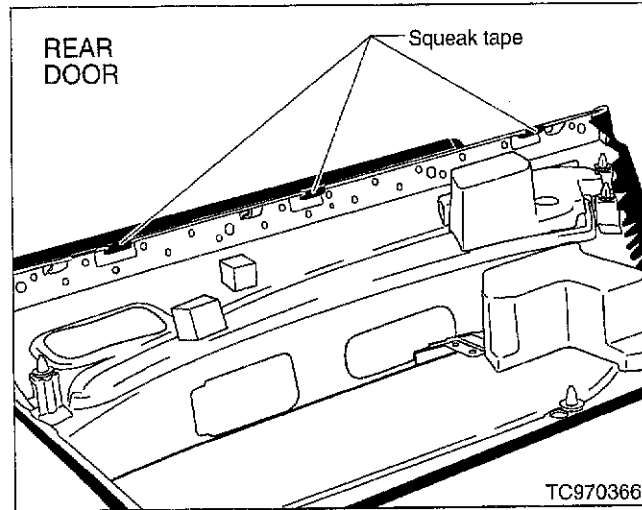


Figure 10

Item	Incident Part	Incident Description	Production C/M Date/VIN	Repair Method
11	Rear door finisher	The existing squeak tape is improperly located on the finisher. This allows contact with the door inner panel.	May 27, 1996 TT175769, TT748571, TM424508	Remove the door finisher. Add squeak tape to the contact area as shown (see Figure 11). NOTE: Do not wrap the tape around the door finisher edge. The tape should not be visible from the outside after installation.

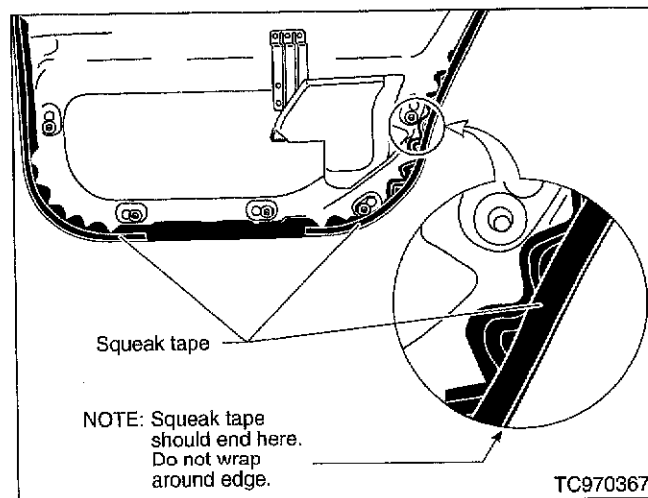


Figure 11

Item	Incident Part	Incident Description	Production C/M Date/VIN	Repair Method
12	Front power window switch finisher	There is intermittent contact between the bottom of the switch finisher and the door finisher.	March 14, 1997 VT854557, VT218791, VM523196	Remove the switch finisher. Add squeak tape to the contact area as shown (see Figure 12).

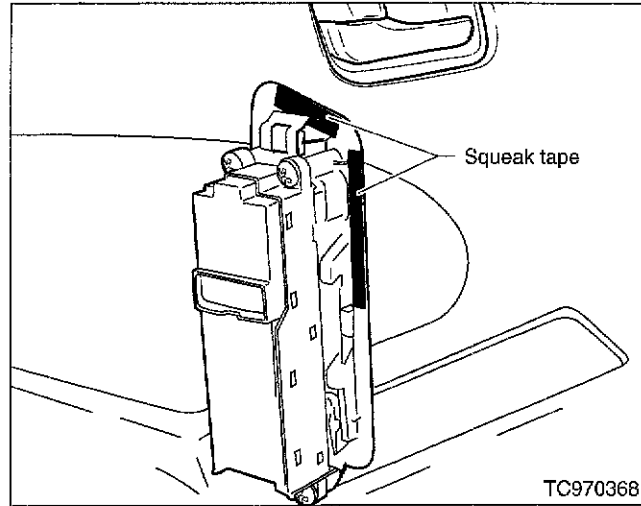


Figure 12

Rear (Headliner, Parcel Shelf, Trunk)

Item	Incident Part	Incident Description	Production C/M Date/VIN	Repair Method
13	Headliner fastener clips	The fit is loose between the headliner fastener clips and the rear window.	February 14, 1997 VT848584, VT218149 April 12, 1997 VM527876	Remove the C-pillar finishers. Carefully pull the headliner down at the rear window. Make squares with the foam sponge (30x30 mm), cut slits in the middle and put over the clips as shown (see Figure 13).

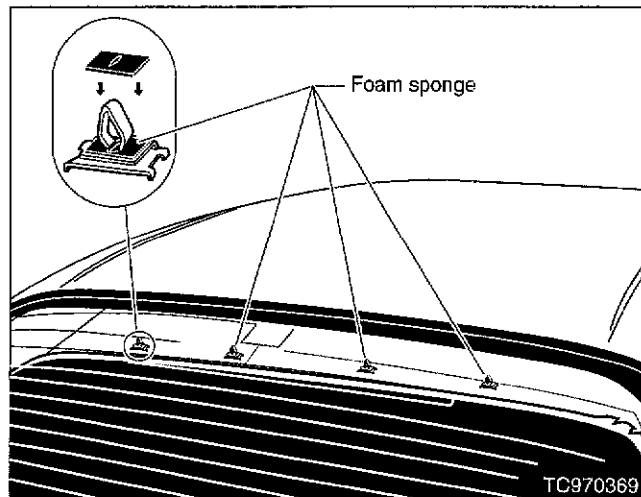


Figure 13

Item	Incident Part	Incident Description	Production C/M Date/VIN	Repair Method
14	Multi-remote lock control unit (LCU05)	Rattle noise near the bottom of the control unit because the screw clamping force is inadequate.	None	Remove the right side trunk finisher. Replace the control unit screws with M6 bolts and nuts (see Figure 14). Torque to specification.

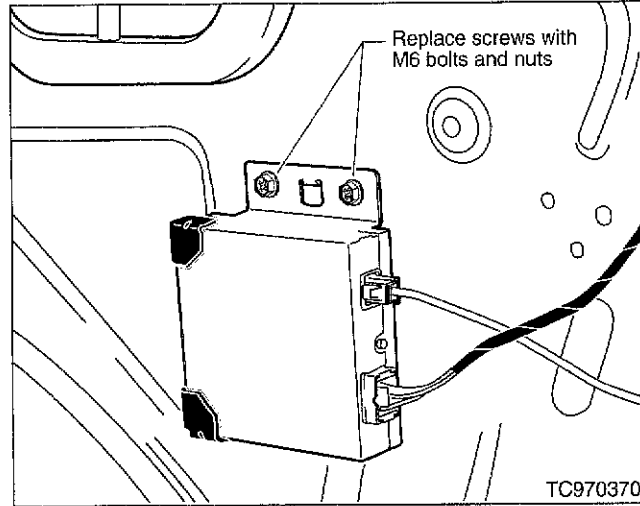


Figure 14

Item	Incident Part	Incident Description	Production C/M Date/VIN	Repair Method
15	Rear seat back support panel nut	The nuts that secure the support panel may be loose. You hear a pop noise when initiating a turn or turning on to an incline (hill or driveway).	October 25, 1995 TT142586, TT731283	Remove the rear seat cushion and back. Torque the 10 nuts to specification (see Figure 15).

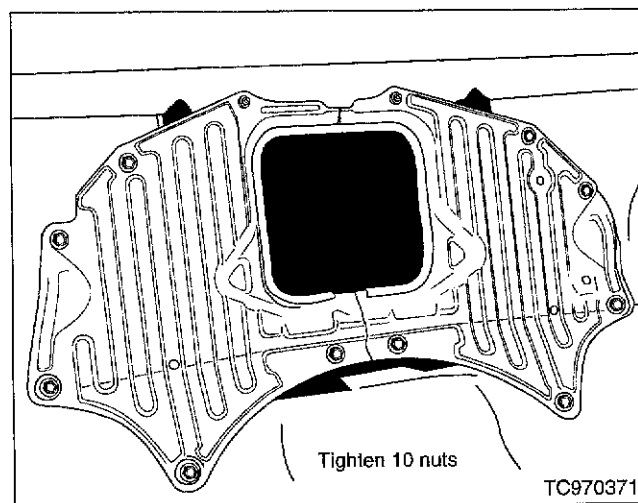


Figure 15

Item	Incident Part	Incident Description	Production C/M Date/VIN	Repair Method
16	Trunk torsion bars	Rattle noise due to intermittent contact between the trunk torsion bars.	October 7, 1996 VT820061, VT208606, VM504366	Add clip (P/N 84437-41L00) to ensure a clearance between the bars (see Figure 16).

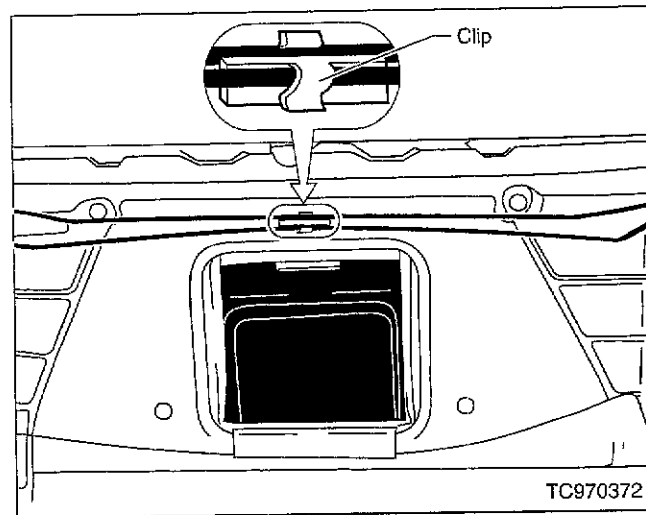


Figure 16

PARTS INFORMATION

DESCRIPTION	PART #/PFP
Clip, torsion bar	84437-41L00
Squeak tape (1" wide x 108" long)	3M 051131-06356

CLAIMS INFORMATION

When applicable, standard claims coding applies.