



SERVICE BULLETIN

Classification:

BT99-049

Reference:

NTB00-001

Date:

December 15, 1999

SUNROOF RAIL ASSEMBLY REPAIR

APPLIED VEHICLES: 1995-97 Maxima (A32)
1996-99 Pathfinder (R50)

SERVICE INFORMATION

If an applied vehicle exhibits the following symptoms, use the service procedure below to resolve the incident(s).

- Sunroof binds
- Sunroof motor runs but the sunroof will not open or close
- Sunroof leaks

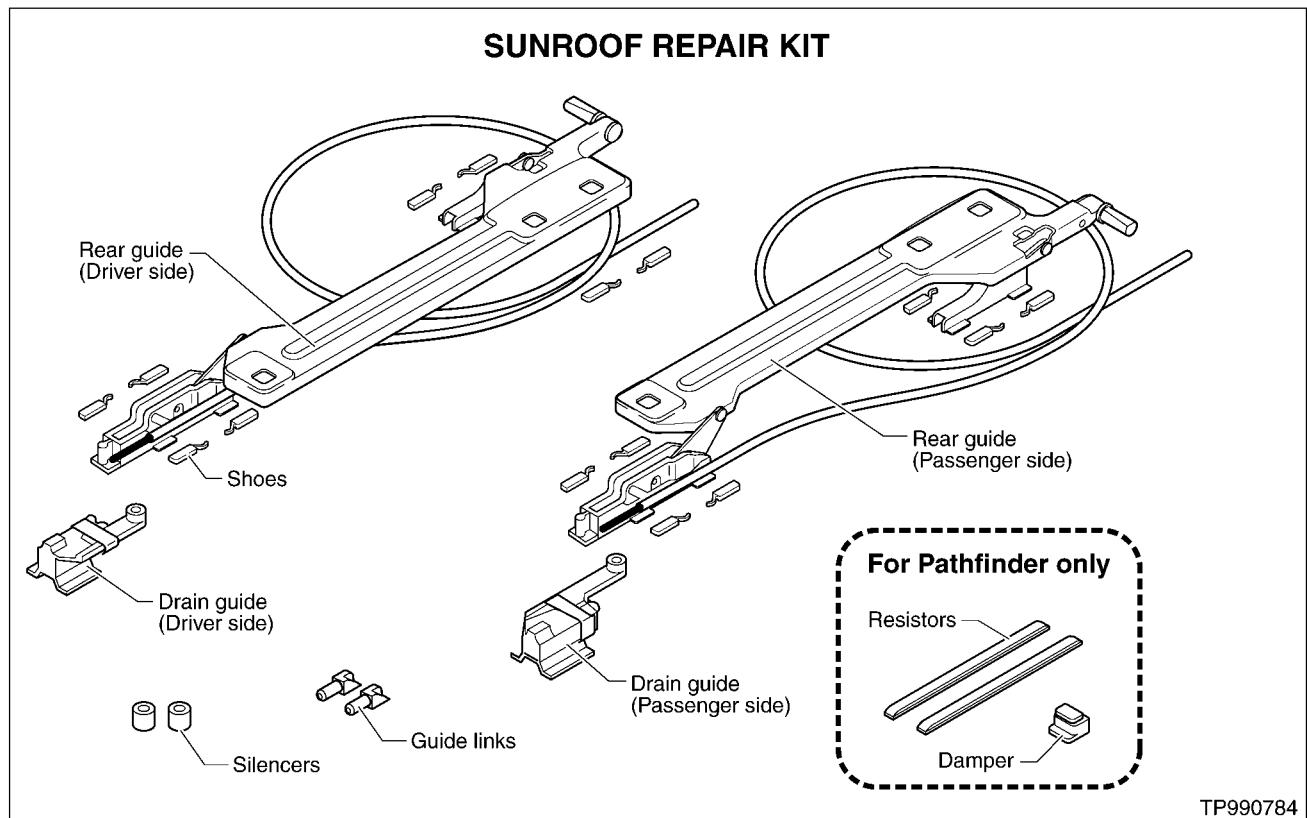


Figure 1

Service Procedure

1. Operate or move the sunroof until it reaches the fully closed position (not tilted position).
2. Remove the sunroof lid (glass), sunroof shade and headliner. Refer to the BT section of the applicable service manual.
3. Remove the sunroof rail assembly from the vehicle and place it on a flat working surface.

IMPORTANT: Observe the following cautions when handling or working on the sunroof rail assembly.

- Do not pick the sunroof rail assembly up by the drain tray as damage may occur to the drain tray (see Figure 2).

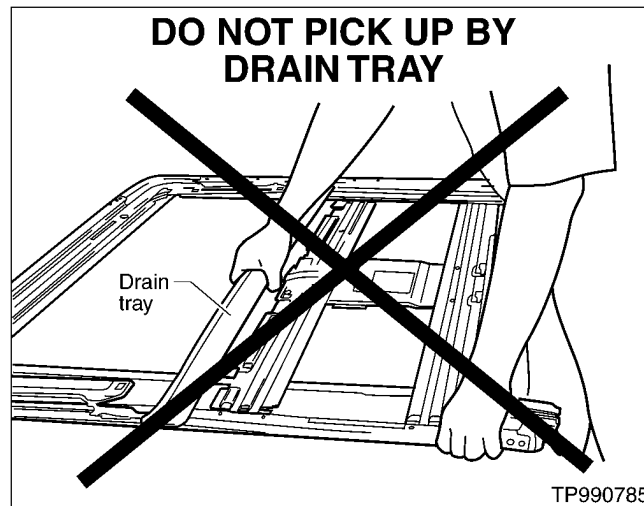


Figure 2

- Do not place the sunroof rail assembly on its end as damage to the corner drains may occur (see Figure 3).

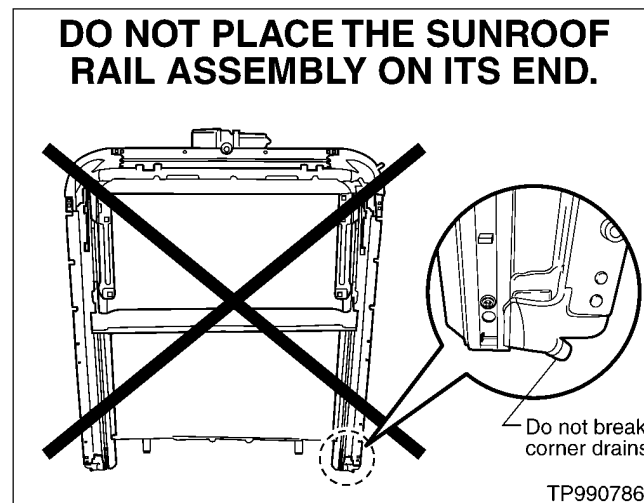


Figure 3

- Do not press on the sunroof rail assembly cross members as they may bend (see Figure 4).

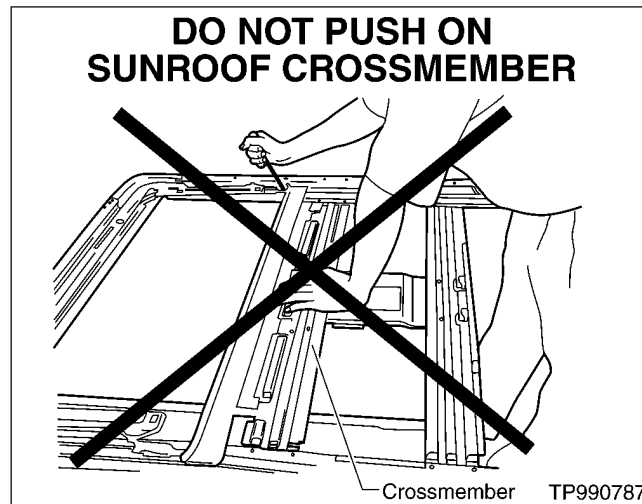


Figure 4

4. Remove the motor from the sunroof rail assembly.
5. Confirm the closed position marks on the motor are lined up with each other (see Figure 5).
 - A. If the closed position marks are lined up, proceed with step 6.
 - B. If the closed position marks are not lined up, turn the motor adjustment screw (see Figure 5) until the marks are aligned, then proceed with step 6.

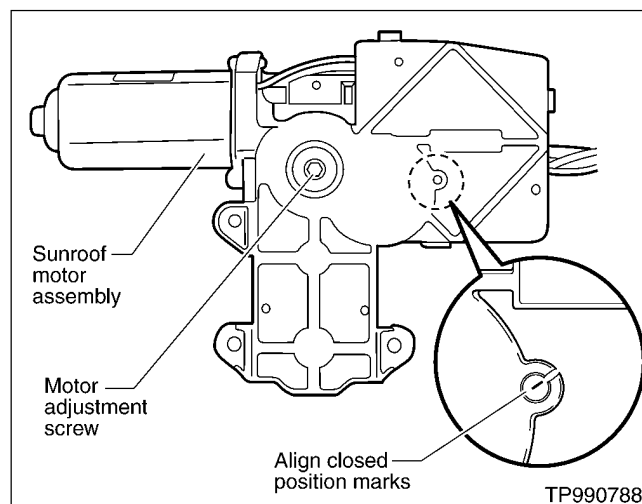


Figure 5

6. Remove the stoppers from the rear of the sunroof rail assembly as follows:
 - A. Loosen (but do not remove) the screw in the end of the stopper (see Figure 6).
 - B. Remove the screw on the top of the stopper (see Figure 6).
 - C. Slide the stopper out of the sunroof rail assembly (see Figure 6).

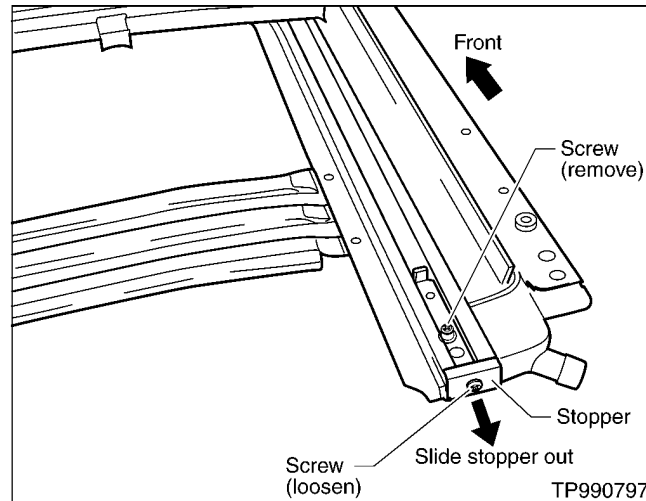


Figure 6

7. Remove the drain tray as follows:
 - A. Remove two screws that secure the drain tray to the drain guides (see Figure 7).
 - B. Lift up and pull forward on the front of the drain tray to remove it from the drain guides (see Figure 7).

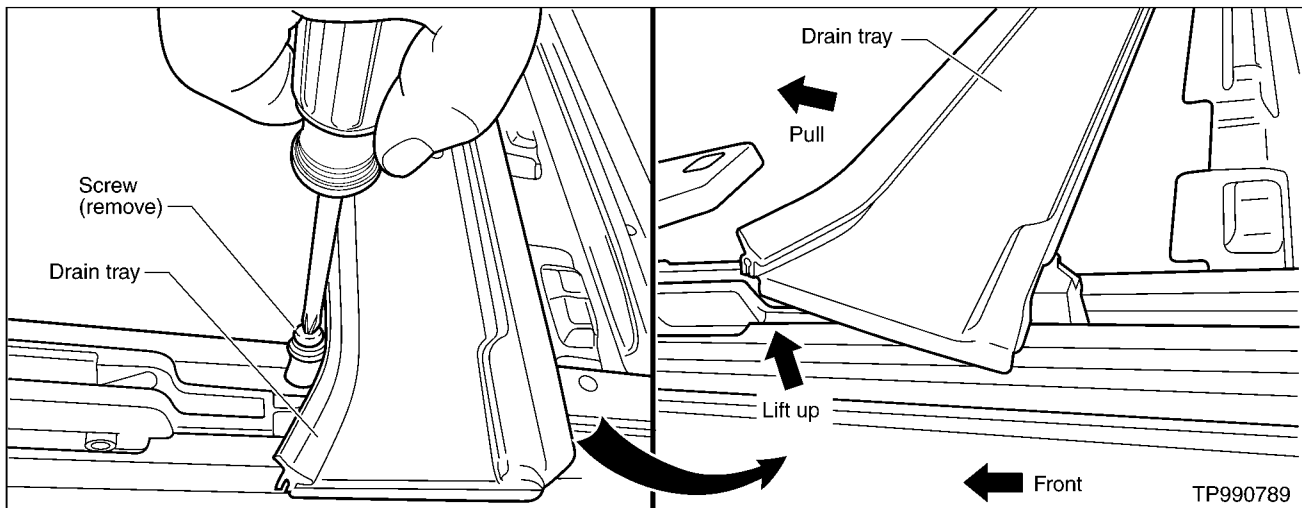


Figure 7

8. Insert a screwdriver and pull each rear guide out of the sunroof rail assembly until the cable is removed (see Figure 8). The drain guide will come out automatically as the guide is removed.

NOTE: If the old cable is broken, wait to remove it when you install the new cables (see step 16). It is easier than fishing it out now.

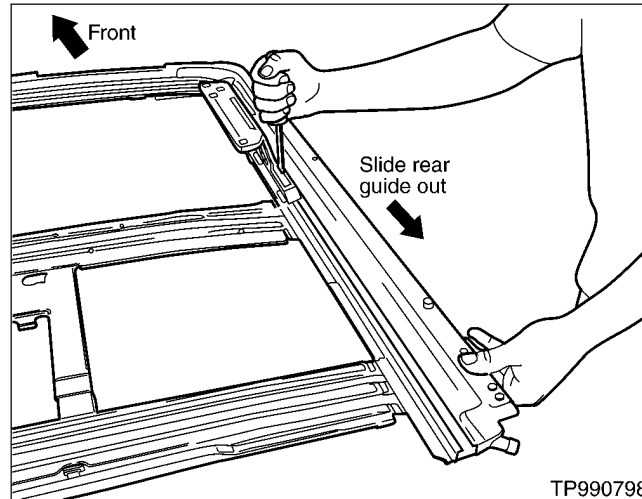


Figure 8

9. Remove any debris found in the sunroof rail after the cable is removed. Also, carefully smooth out any burrs or nicks on the sunroof rail with a file.

NOTE: Do not remove the existing grease from the sunroof rail, but only remove the debris. Also, do not use any cleaners/solvents on the sunroof rail.

NOTE: When filing burrs or nicks, use caution not to get metal filings in the sunroof rail grease. Cover the grease with a rag or with tape.

10. If damaged or missing, install new guide links in the guide link slots (see Figure 9).

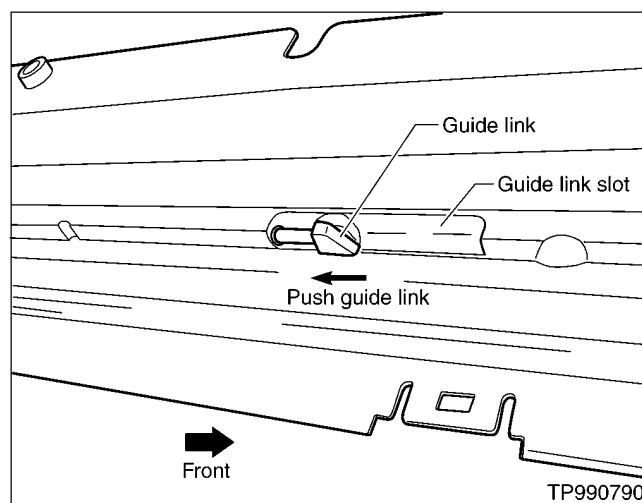


Figure 9

11. If damaged or missing, install two new front silencers (see Figure 10).

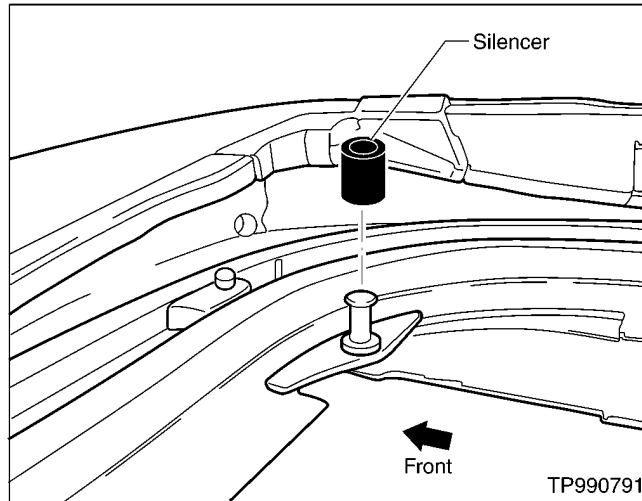


Figure 10

NOTE: Steps 12 and 13 below only apply to Pathfinder.

12. Install the new damper (on the empty metal tab) on the rear of the sunroof rail assembly (see Figure 11).

NOTE: When installing the damper, first insert the front portion of the damper into the hole in the cross member, then push the damper over the metal tab until it is fully seated.

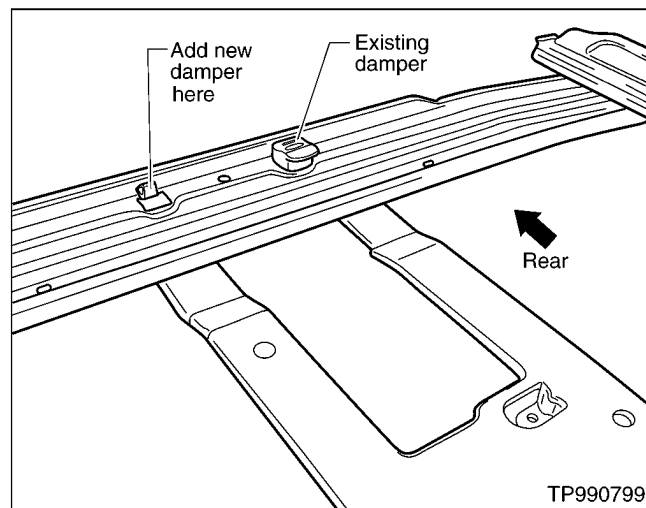


Figure 11

13. Install two additional resistors on the sunroof rail assembly (see Figure 12).

NOTE: Most Pathfinder vehicles already have two resistors mounted to either the front or rear of the sunroof rail assembly. Install two additional resistors (provided in the kit) so the sunroof rail assembly has four resistors when you are done.

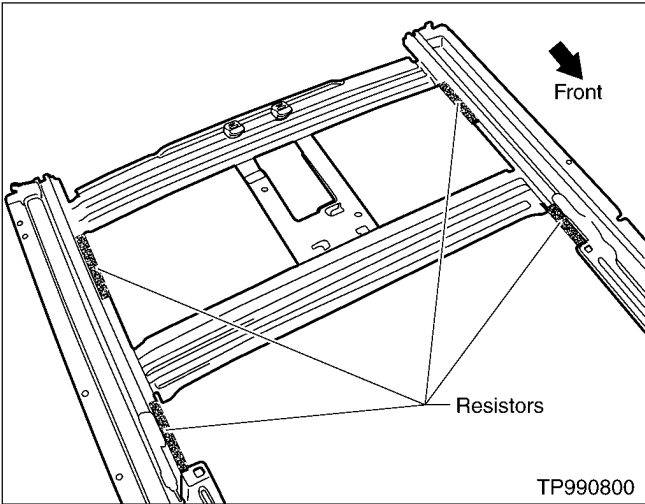


Figure 12

14. Install the new white plastic shoes on the new rear guide assemblies (see Figure 13).

NOTE: Install the white plastic shoes so the tabs face each other (see Figure 13).

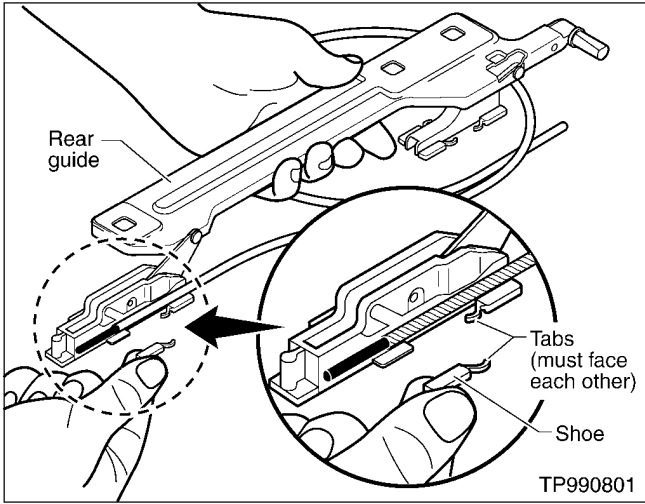


Figure 13

15. Apply silicone grease (P/N 999MP-AB002 or equivalent) to all of the white shoes.

16. Install the new rear guides as follows:

A. Slide the rear guide cable into the sunroof rail assembly.

NOTE: The passenger side rear guide cable slides into the outside rail track and the driver side rear guide cable slides into the inside rail track (see Figure 14).

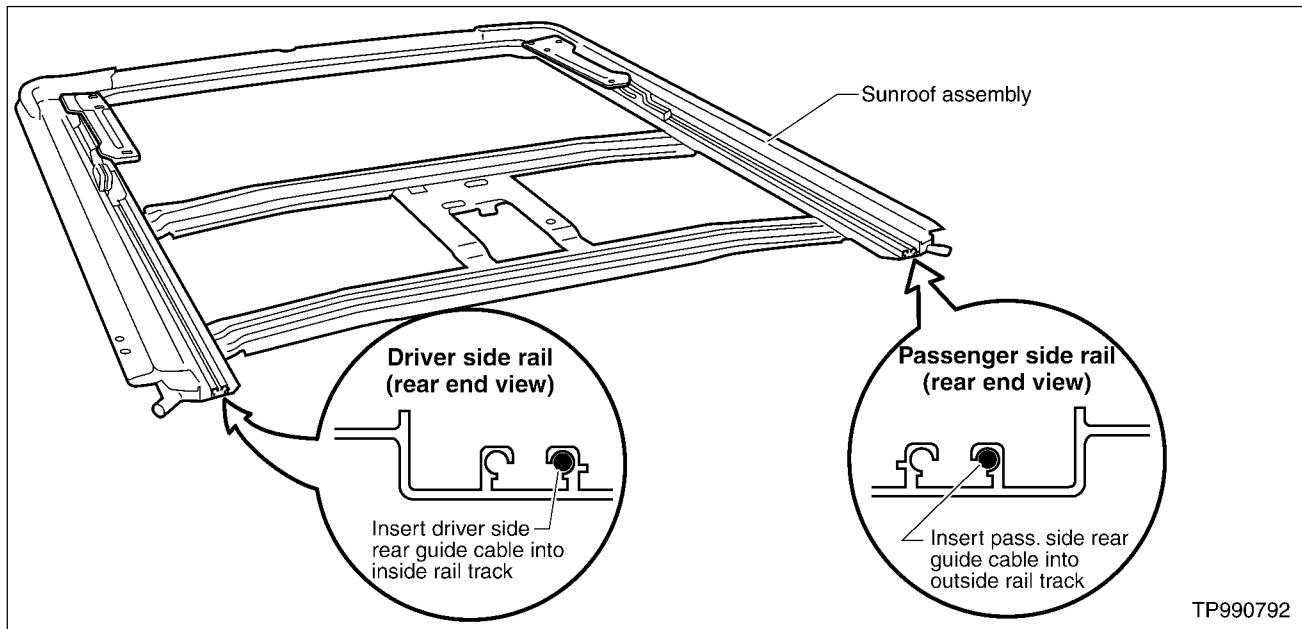


Figure 14

NOTE: If the original cable was broken and still remains in the sunroof rail assembly, push the new cable into the sunroof rail assembly until it pushes the broken cable to the guide link slot, then use pliers to pull the old cable out through the slot (see Figure 15).

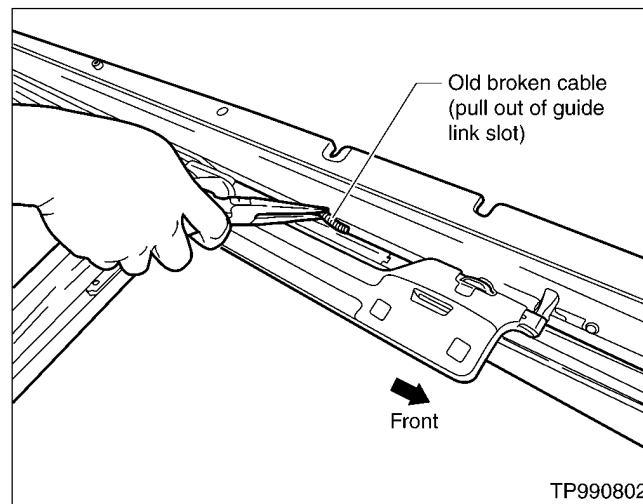


Figure 15

B. First, insert the front of the new rear guide into the sunroof rail (see Figure 16), then pull the guide towards the front of the sunroof rail assembly until the rear guide slides into the sunroof rail (see Figure 17). Make sure the mold pin is placed on top of the rail (see Figure 18) when inserting the rear guide.

NOTE: Squeeze the tabs on the white shoes together while inserting the rear guide into the sunroof rail.

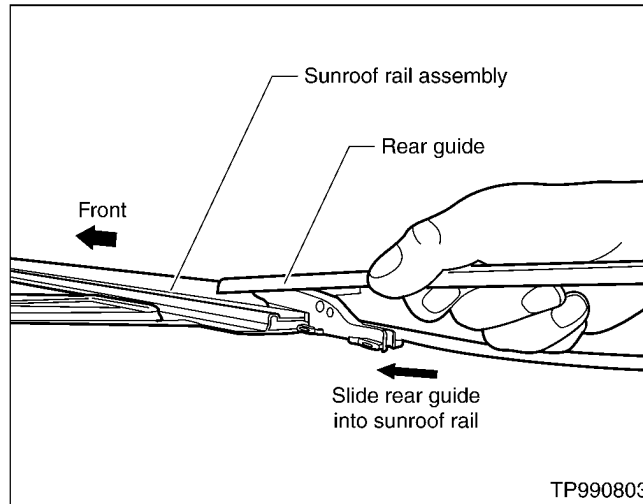


Figure 16

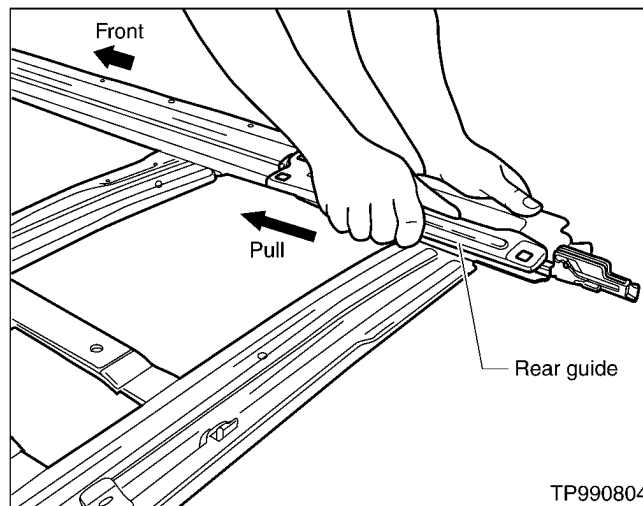


Figure 17

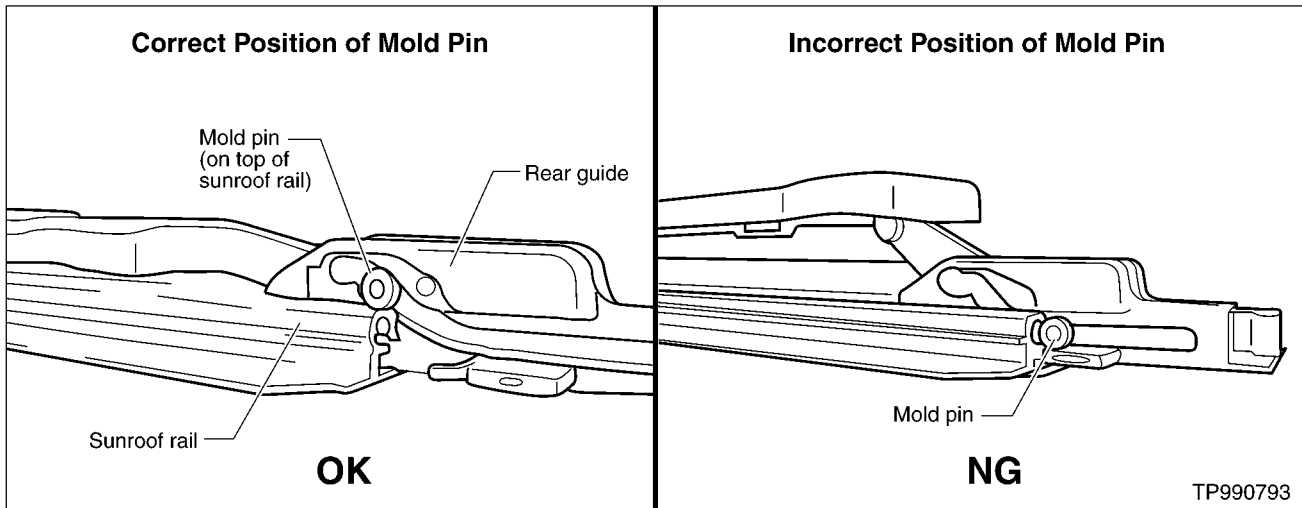


Figure 18

17. Verify the rear guides slide smoothly and quietly in the sunroof rail assembly, then move the guides completely forward.

18. Insert the new drain guides into the rear of the sunroof rail assembly as follows:

- A. Push the stopper in the "A" direction while squeezing the clips in the "B" direction (see Figure 19).
- B. Insert the drain guide into the end of the sunroof rail assembly (see Figure 19) and slide it forward until it snaps into the cut-out in the rail.

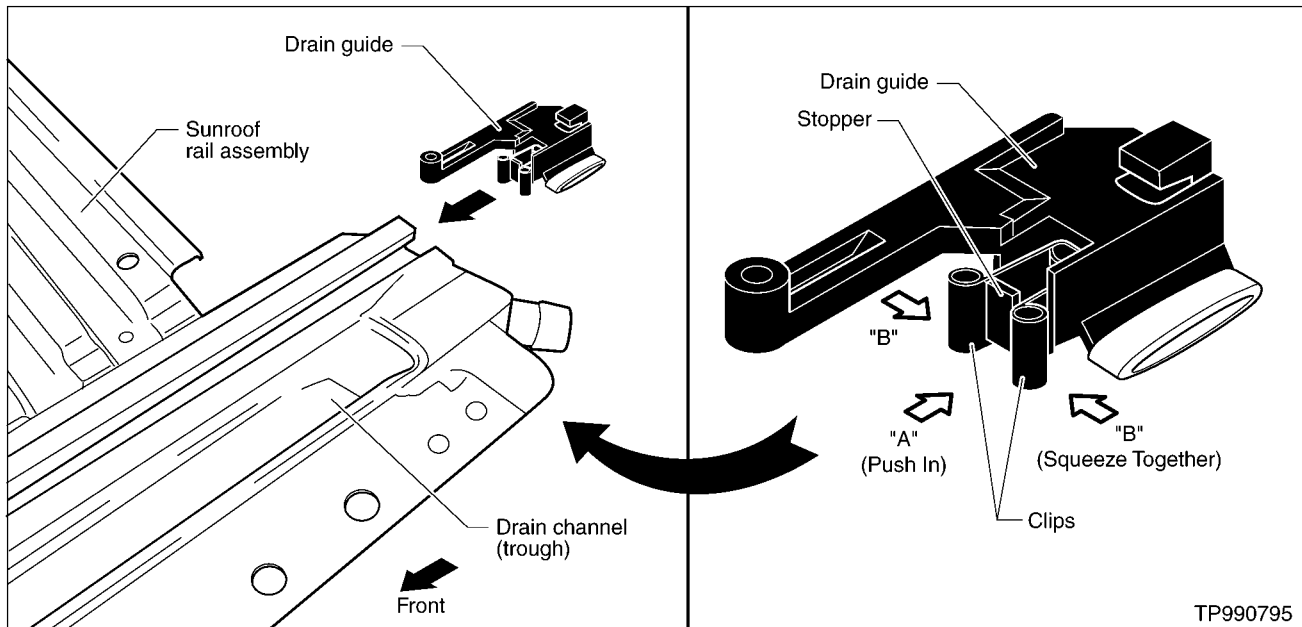


Figure 19

19. Re-install the rear stoppers.
20. Wipe off the sunroof cross members with a clean cloth.
21. Wipe any debris out of the drain channels (troughs). See Figure 19 above.
22. Move the rear guide until the holes on the rear guide and link line up with each other (see Figure 20).

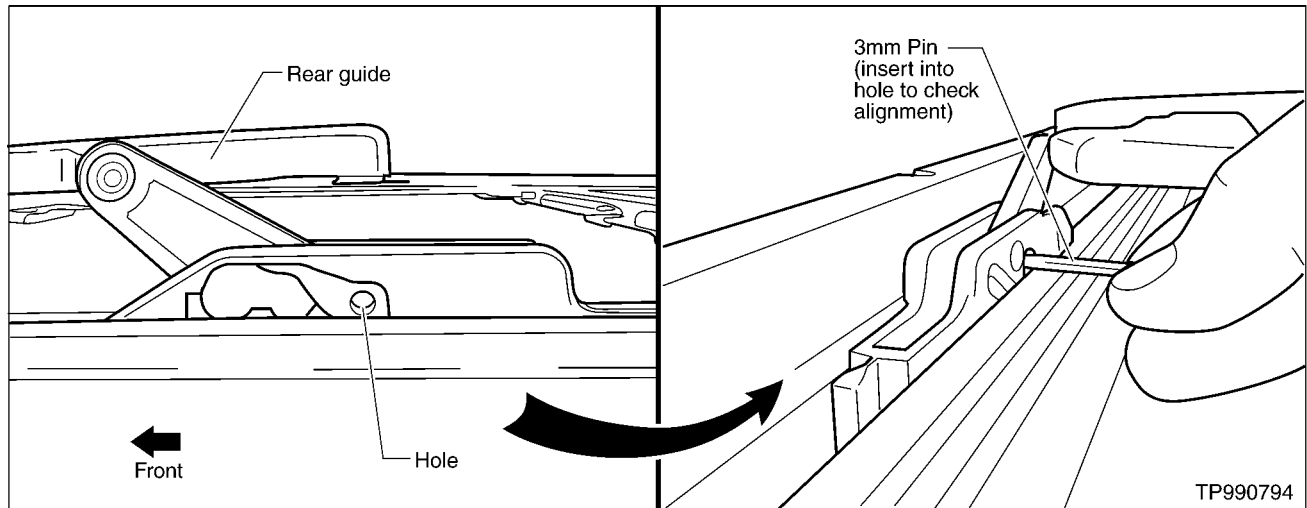


Figure 20

23. Insert a 3mm punch or pin through the holes to make sure they are completely aligned (see Figure 20).
24. Re-install the motor on the sunroof rail assembly.

NOTE: Make sure the closed position marks on the motor are still lined up with each other before installing the motor on the sunroof rail assembly. If necessary, turn the motor adjustment screw until the marks are aligned.
25. Re-install the sunshade in the sunroof rail assembly. Refer to the BT section of the applicable service manual.

NOTE: The sunshade brackets ride on the lower, longer slots in the rail.
26. Re-install the drain tray (see Figure 7).
27. Re-install the sunroof rail assembly in the vehicle. Refer to the BT section of the applicable service manual.
28. Wipe off the outer rubber seal on the sunroof lid (glass).

NOTE: Do not use cleaners/solvents to clean the sunroof outer rubber seal as they can cause the rubber to dry out and crack.
29. Re-install the sunroof lid (glass).
30. Check the operation of the sunroof.
31. Re-install the headliner.

PARTS INFORMATION

DESCRIPTION	PART NUMBER	QUANTITY
Sunroof Repair Kit (1995-97 Maxima – A32)	91350-40U20	1
Sunroof Repair Kit (1996-99 Pathfinder – R50)	91350-0W020	1

CLAIMS INFORMATION

NOTE: This is the ONLY approved repair procedure for this incident. A claim to Nissan for the repair of this incident may be denied if the repair is not performed exactly as outlined in this bulletin.

Submit a Primary Failed Part (PP) line using the following claims coding:

DESCRIPTION	PFP	OP CODE	SYM	DIA	FRT
Install Sunroof Rail Repair Kit	*	UQ90AA	ZE	32	3.8 hrs (A32) 4.5 hrs (R50)

* Reference the Parts Information table above and use the indicated "Sunroof Repair Kit" P/N as the PFP.

